

### 3G. Standard Winch Kit Installation (100729)

Although a majority of boats will be able to power onto the EZ BoatPort, there is a standard winch kit available for shorter boats (less than 14' in length) that either don't have enough power to board the port or choose not to.

First, assemble the winch kit (Figure 29):

1. Insert three (3) 1-1/4" carriage bolts (Item 4) into the three (3) square holes on the winch attachment bracket (Item 3) with bolt head facing down.
2. Place black spacers (Item 5) on the carriage bolts and then slide the ratchet winch (Item 6) over that.
3. Place three (3) washers (Item 2) over the three (3) carriage bolts and secure with the 3/8" hex nuts (Item 1).

ITEM	QTY.	PART NUMBER	DESCRIPTION
1	3	80381	Nut 3/8" Hex ZP
4	3	104055	Bolt 3/8"-16 x 1-1/4" Carriage 18-8 SS
2	3	117005	Washer 3/8" X 1" OD Flat 18-8 SS
3	1	S10729	Winch Attachment Bracket
5	3	S32050	Black Spacer 1" OD x 3/8" ID
6	1	91402	Ratchet Winch with 20' Strap

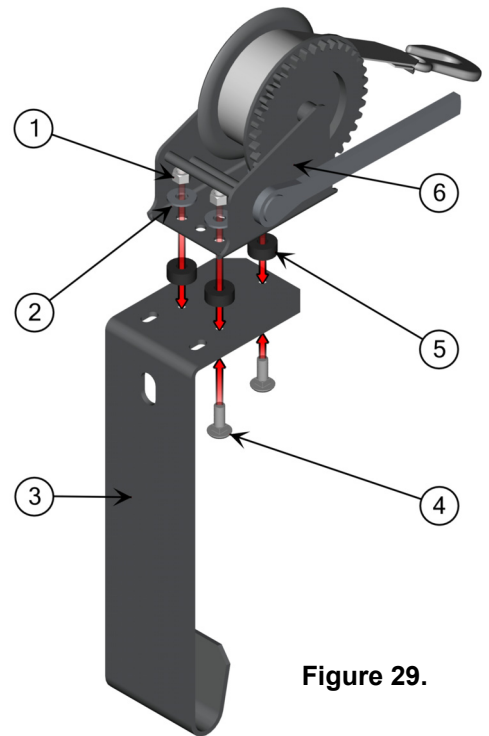


Figure 29.

Attach to EZ BoatPort (Figure 30 and Detail B):

1. Once the winch is assembled, place it on the EZ BoatPort by inserting the winch attachment bracket (Figure 29 Item 3) of the winch assembly (Item 3) into the middle bottom pocket of the EZ BoatPort and rotate it toward the port.
2. Secure the winch kit by placing two (2) washers (Item 2) over the slotted holes and inserting two (2) 1" bolts (Item 1) into the corresponding t-nut locations on the EZ BoatPort.

#### Tools required:

- Ratchet and socket set
- Open-end, boxed-end wrench set
- Screwdrivers (Phillips)

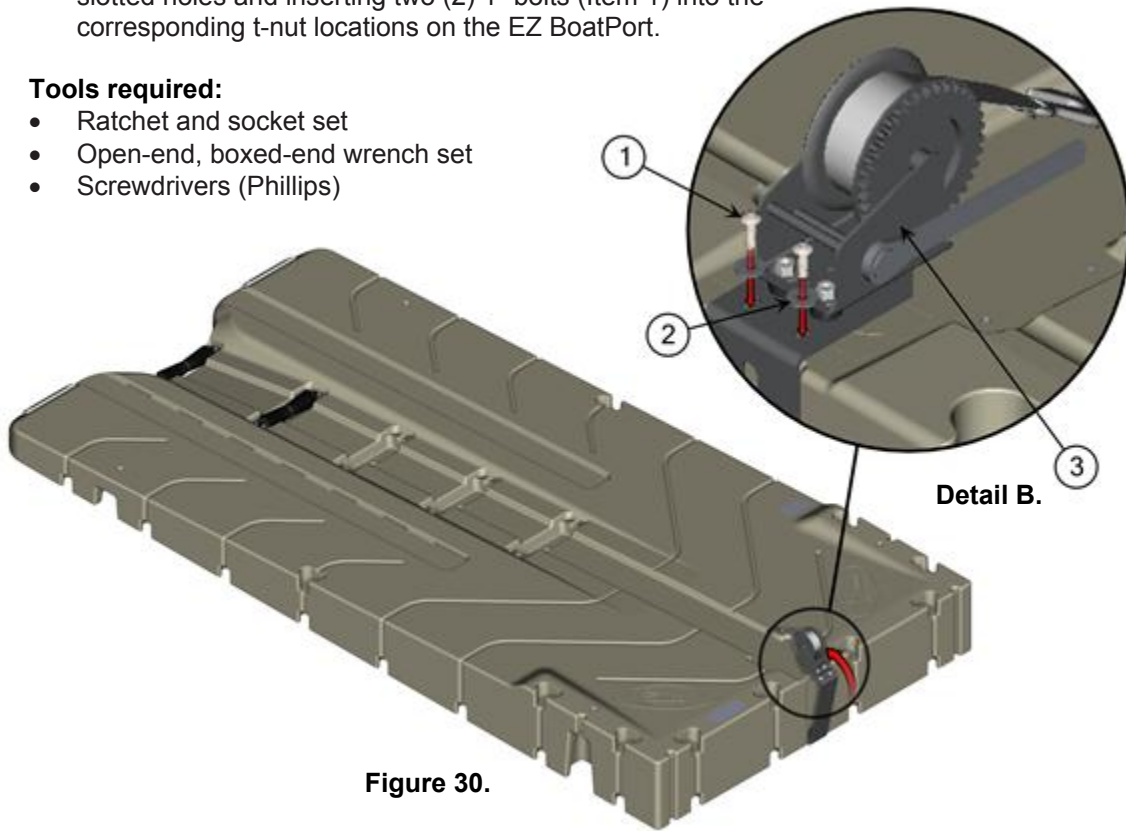


Figure 30.

ITEM	QTY.	PART NUMBER	DESCRIPTION
1	2	80510SS	Bolt 5/16"-18 x 1" Truss HD 18-8 SS
2	1	117005	Washer 3/8" x 1" OD Flat 18-8 SS
3	1	100729	Standard Winch Kit